

HUMITRON® DP1000



-500 ~ 500Pa  
±0.2Pa



## Flush-mounted differential pressure transmitter DP1000 series

- Best Price & Compact Design
- Integral & flush type transmitter
- 4-Digit FND Display
- Capacitive Touch Button
- 1-CH Digital Alarm Output
- 1-CH Analog (4~20m A) Output
- RS485 Modbus RTU communication
- Front Cover Made of Stainless Steel



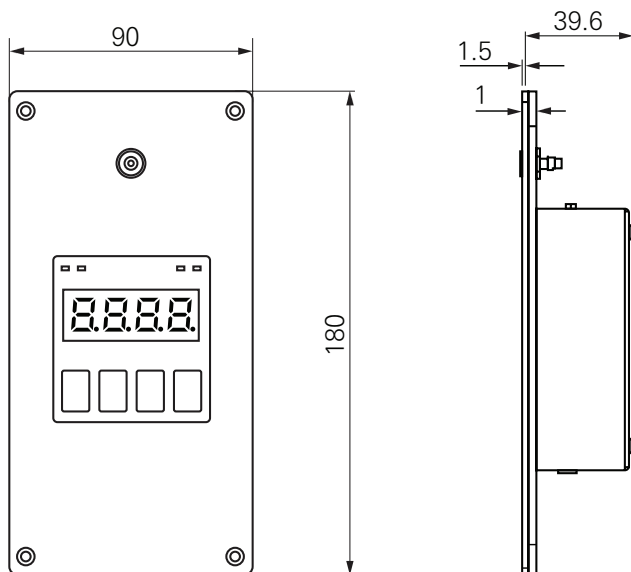
## Technical Data

Pressure Range	±25Pa, ±125Pa, ±500Pa
Accuracy	±3% of reading
Zero span	±0.1Pa(±25Pa, ±125Pa) / ±0.2Pa(±500Pa)
Repeatability	0.5% of reading
Reliability	< 0.1Pa/year
Fluid	Air, N <sub>2</sub> , O <sub>2</sub>
Display unit of pressure	Pa, mmHg, InH <sub>2</sub> O, mmAq(mmH <sub>2</sub> O), hPa, kPa, mbar

## Ordering Guide

DP1000-	①	②	Details
① Output	00-		Relay Output
	A1-		Relay Output + 4-20mA
	R4-		Relay Output + RS485
	A1R4-		Relay Output + 4-20mA + RS485
② Diff. Pressure Range		25	-25 ~ +25 Pa
		125	-125 ~ +125 Pa
		500	-500 ~ +500 Pa

## Dimensions & Wiring



## Specifications

Power supply	24Vdc ± 10%, 24Vac ± 10%, 50/60Hz
Current consumption	max, 120mA @24Vdc
Relay output	1-CH, 5A, 250Vac
Current output	1-CH, 4-20mA
Digital output	RS485 Modbus RTU
Material	SUS303 Hairline
Display	4-Digits, 0.6inch FND
Operating temp.	Temperature -10 ~ 60°C, (Non condensation)
Storage temp.	Temp. -20 ~ 70°C, Humidity: 95RH or less
Dimensions	90(W)mm x 180(H) x 40(D)mm
IP rating	IP65 (Front Panel)
Weight	260g

