

HTX20 Series



OEM RH & Temperature Transmitter for Indoor Applications



HUMITRON® HTX20 series is a module for detection of temperature and humidity which is especially for OEM and satisfactory in aspects of price and quality. It is designed with compact and slim shape, so users don't need to consider any spatial restriction or exposure when it is installed inside or outside of various types of climate control units or control facilities.

FEATURES

- Humidity & Temp. measure
- Easy installation
- Compact & slim size
- Free 3m standard cable
- Fast response time
- Stable, low drift performance
- Chemically resistant

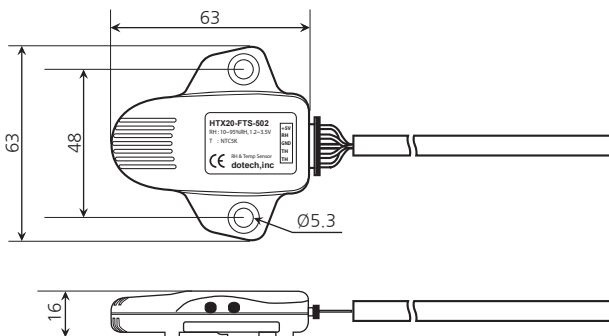
APPLICATIONS

- Refrigeration equipment
- HVAC equipment
- Humidifier & dehumidifier
- Medical equipment
- Drying
- Metrology
- Data logger
- OEM assemblies

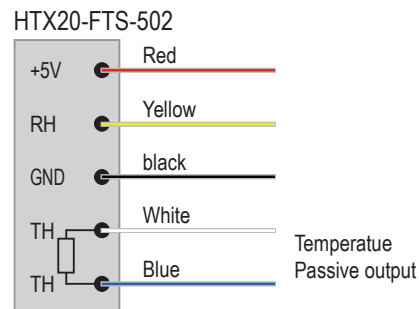
SPECIFICATIONS

Humidity	Range	10 ~ 95% (No Condensation)
	Accuracy	± 3%RH (at 25°C, 40%RH to 80%RH), ± 5%RH (Else)
	Repeatability	± 2%RH
	Response	Max. 60 sec
	Output	1.2 ~ 3.5V (at 25°C, 10~95%RH Full scale)
Temperature (Passive)	Range	0 ~ 60 °C
	Accuracy	NTC 5kΩ R(25°C) = 5kΩ±1%, B value(25/85) = 3324±1%
	Repeatability	±0.3 °C
	Response	Max. 15sec
	Output	NTC1k, NTC5k, NTC10k, PT100, PT1k
Voltage Supply		5Vdc (4.75 to 5.25Vdc)
Current		3.5 mVA
Dimension(WxHxDmm)		63x63x16 (mm)
Connection		5Pin Connector 3m cable
Operation		Temperature: 0 ~ 60°C Humidity: Below 95%RH
Storage		Temperature: -20 ~ 85°C(No Condensation)
Housing		PC-ABS
Weight		16 g

Housing / Mounting Dimension

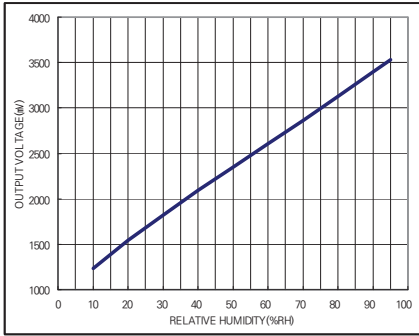


Connection Diagram



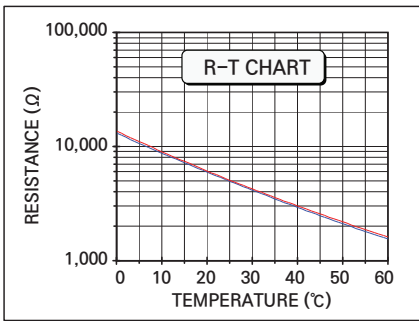
Wire Specifications : UL2547 5C 3meter

Humidity Output Signal



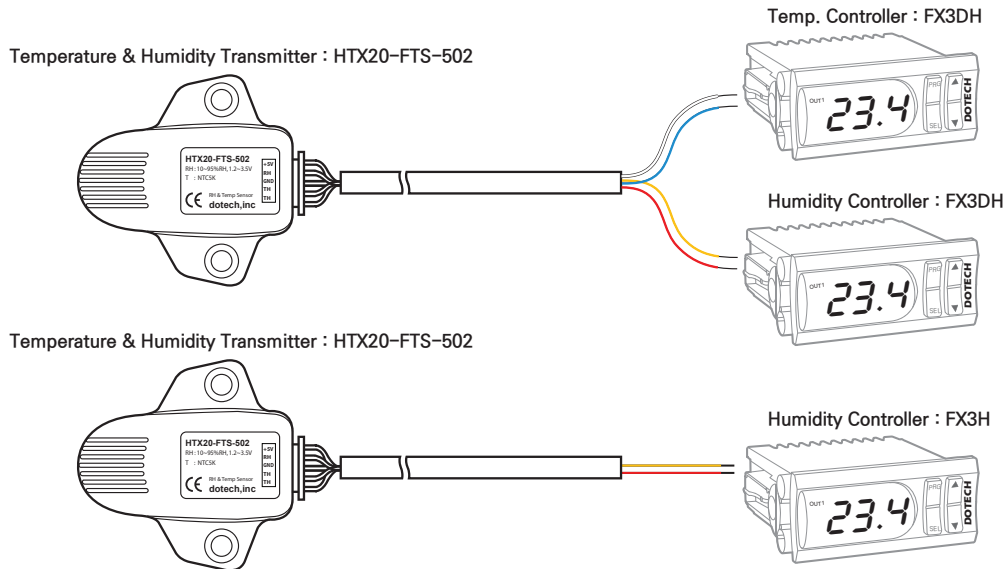
RH (%)	Output V (mV)	RH (%)	Output V (mV)	RH (%)	Output V (mV)
10 %	1235	40 %	2090	70 %	2860
15 %	1390	45 %	2220	75 %	2990
20 %	1540	50 %	2350	80 %	3125
25 %	1685	55 %	2480	85 %	3260
30 %	1825	60 %	2605	90 %	3400
35 %	1960	65 %	2730	95 %	3530

Temperature Output Signal



Temp.(°C)	Output R(kΩ)	Temp.(°C)	Output R(kΩ)	Temp.(°C)	Output R(kΩ)
0.0	13.29000	20.00	6.01381	40.00	2.96011
5.00	10.80710	25.00	5.00000	45.00	2.50876
10.00	8.83963	30.00	4.17819	50.00	2.13556
15.00	7.27126	35.00	3.50854	55.00	1.82556
				60.00	1.56693

Block Diagram



Ordering Guide

Basic	Series	Type	Description
HTX	20		HUMITRON® HTX 20 Series Transmitters
		FTS	Humidity (1.2 ~ 3.5V)
		-	Humidity Only
		502	Temperature element direct connection (NTC5Kohm Passive)
		103	Temperature element direct connection (NTC10Kohm Passive)
		1K	Temperature element direct connection (NTC1Kohm Passive)
		PT100	Temperature element direct connection (Pt100ohm Passive)
		PT1000	Temperature element direct connection (Pt1000ohm Passive)