

# HTX82/83 Series

## Relative humidity and temperature transmitter for HVAC system, factory automation and chamber

### FEATURES

- Excellent stability
- High accuracy ( $\pm 2.0\%rh$ ,  $\pm 0.4\text{ }^{\circ}C$ )
- Wide measuring range (0~100%rh, -20~80°C)
- Waterproof housing
- Easy installation
- Excellent durability (Stainless probe)

### APPLICATIONS

- HVAC System
- Dehumidifier / Chamber
- Humidifier / Dryer
- Cleanroom / Constant temperature & humidity unit (AHU)
- Building automation
- Industrial (Production / Storage)
- Semiconductor / LCD
- Pharmacy / Food
- Printing factory

HUMITRON® HTX82 series is industrial temperature and humidity transmitter which supplies user with fast response and high accuracy using thin film polymer capacity sensor and platinum RTD sensor.

- Application of airtight type bracket
- Metal Sintered filter

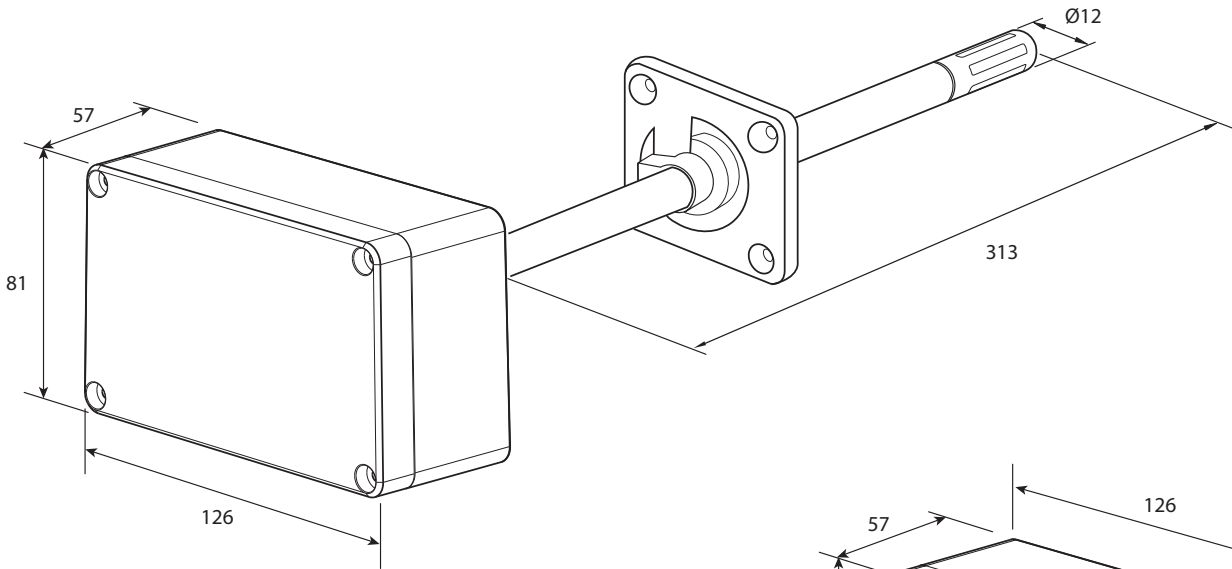


### SPECIFICATIONS

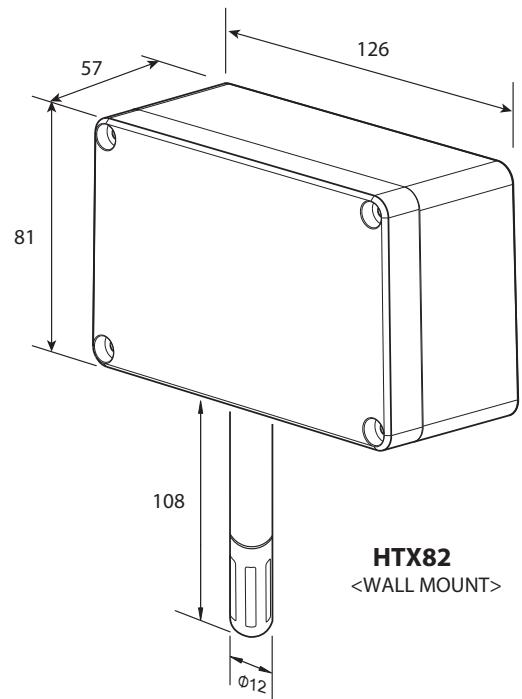
Item		Model	HTX82(W/D)	HTX83(W/D)
Humidity	Measuring Range		0 ... 100 %rh (No Condensation)	
	Accuracy		$\pm 2.0\%rh$	$\pm 3.0\%rh$
	Linearity		$\pm 0.5\%rh$	
	Repeatability		$\pm 1.0\%rh$	
	Response		10 ... 90 %rh : less than 10 sec 90 ... 10 %rh : less than 15 sec	
	Output Signal		4 ... 20mAdc, 1 ... 5Vdc, 2 ... 10Vdc	
Temperature	Measuring Range		HTX82D-□□□L : -30 ... 70°C, HTX82D-□□□H : -20 ... 80°C	
	Accuracy		$\pm 0.4\text{ }^{\circ}C$	$\pm 0.8\text{ }^{\circ}C$
	Sensor Element		PT100Ω Class A	
	Output Signal		4 ... 20mAdc, 1 ... 5Vdc, 2 ... 10Vdc Pt100, Th 5K, Th 1K, Th 10K	
Sensor Protection			Stainless, Stainless+Maesh, Sintered alloy filter	
Power Supply			12Vdc or 24Vdc(6 ... 30Vdc)	
Dimension (WxHxDmm)			120x80x60, Exclusion of Cable grand / filter (30)	
Cable Grand			PG9 (Bright Black, Anti-Drag, 4 ... 8.0mm)	
Wiring method			5-Pin Terminal, 14 ... 22AWG	
Housing			ABS, Water-proof	
Weight			Wall mount type : 220g, Duct mount type (250mm probe) : 333g	



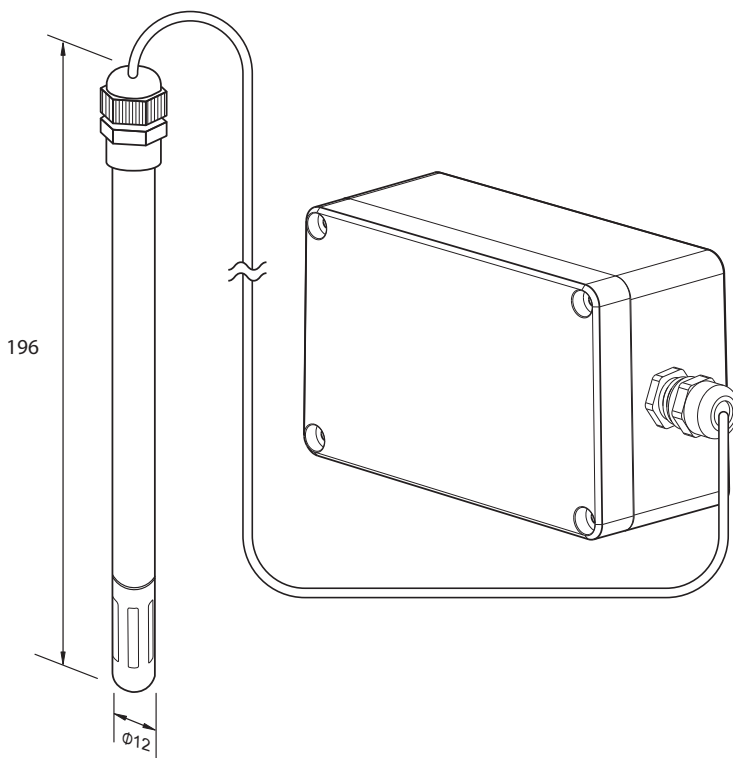
**Housing Dimension(mm)**



**HTX82**  
<DUCT MOUNT >

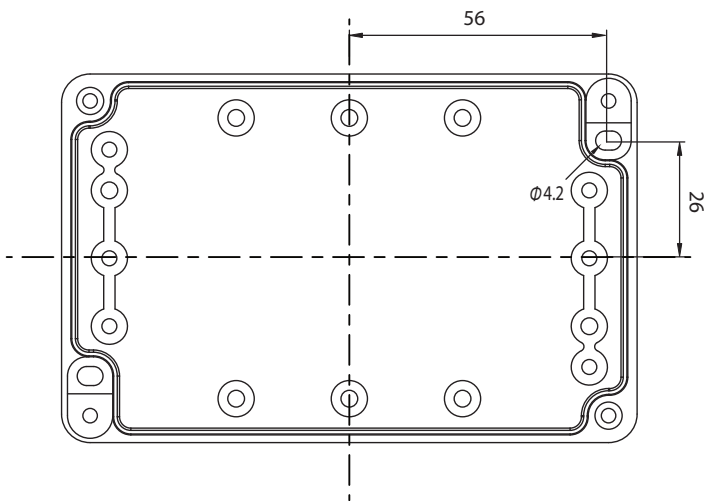


**HTX82**  
<WALL MOUNT >

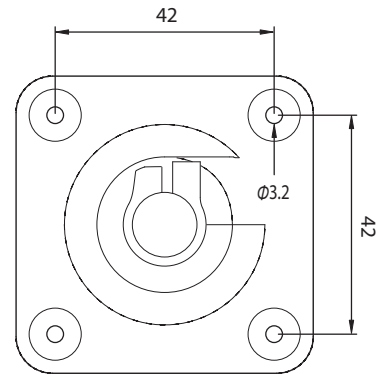


**HTX82**  
<REMOTE MOUNT >

## Mounting Dimension(mm)



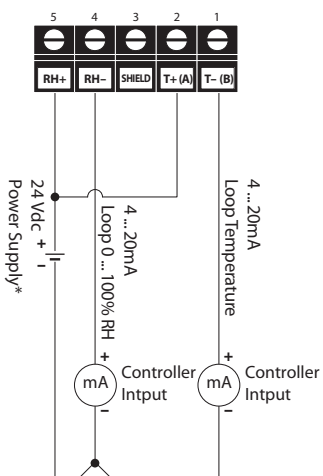
<Wall & Duct Mount>



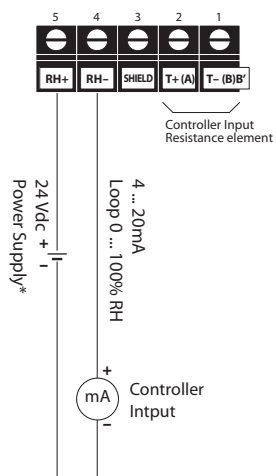
<Duct Mount Bracket>

## Connection Diagram

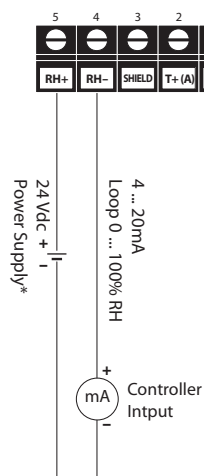
### • HTX8n-FTC Type



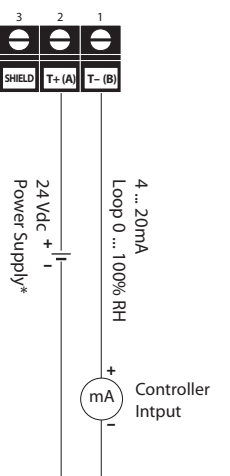
### • HTX8n-FPC Type



### • HTX8n-FHC Type



### • HTX8n-FBC Type



## Ordering Guide

Series	Accuracy	Mount	Type	Outout	Temp. Range	Passive Elements	Description
HTX							HUMITRON® HTX Series Transmitters
	82						RH : ±2.0%, Temp : ±0.4 °C
	83						RH : ±3.0%, Temp : ±0.8 °C
		W					Wall Mount
		D					Duct Mount
			FT				Humidity & Temperature
			FP				Humidity & Passive Elements
			FH				Humidity Only
			FB				Temperature Only
				C			Current Output 4 ... 20mAdc
				V			Voltage Output 2 ... 10Vdc
				V1			
				V5			Voltage Output 1 ... 5Vdc
					L		-30°C ... 70°C
					H		-20°C ... 80°C
					-		FP, FH series
						102	NTC Thermister 1KΩ
						502	NTC Thermister 5KΩ
						103	NTC Thermister 10KΩ
						PT100	PT 100Ω RTD
						PT1000	PT 1000Ω RTD
						-	FT, FH, FB series

## Ordering Example

### HTX82W-FTCL

- Model : Humidity & Temperature Transmitter
- Accuracy : RH : ±2.0%, Temp. : ±0.4
- Output : 4 ... 20mA (Humidity), 4 ... 20mA (Temperature)
- Housing : Wall mounting
- Temperature Range : -30 ... 70°C