

HTX33C Series (Room Sensor)

HVAC RH & Temperature Transmitter for Indoor Applications

FEATURES

- MEMS technology
- Compact & Slim Size
- Self Calibration Function

APPLICATIONS

- Air Handling System
- Clean Room
- IDC Center & Computer Room
- Dehumidifier
- Humidifier
- Constant Temp.& Humidity Unit
- Building Automation
- Botanical Garden & Farm
- R&D Center / Laboratory
- Museum / Exhibition Hall
- Industry (Production / Storage)
- Semi-Conductor, LCD
- Electric Railway / Train
- Pharmacy / Food
- Factory Automation
- Rotary Machine
- Environmental Detection System
- Climate
- Road
- BTS (Base Transceiver Station)

HUMITRON® HTX33C-10 is an optimized line of product for measuring of temperature & humidity at indoor environment, such as clean room, computer room and museum.

It is convenient to communicate with upper monitoring & control system (PC-HMI, PLC). Also, its simple structure and elegant design is harmonized with the surroundings.

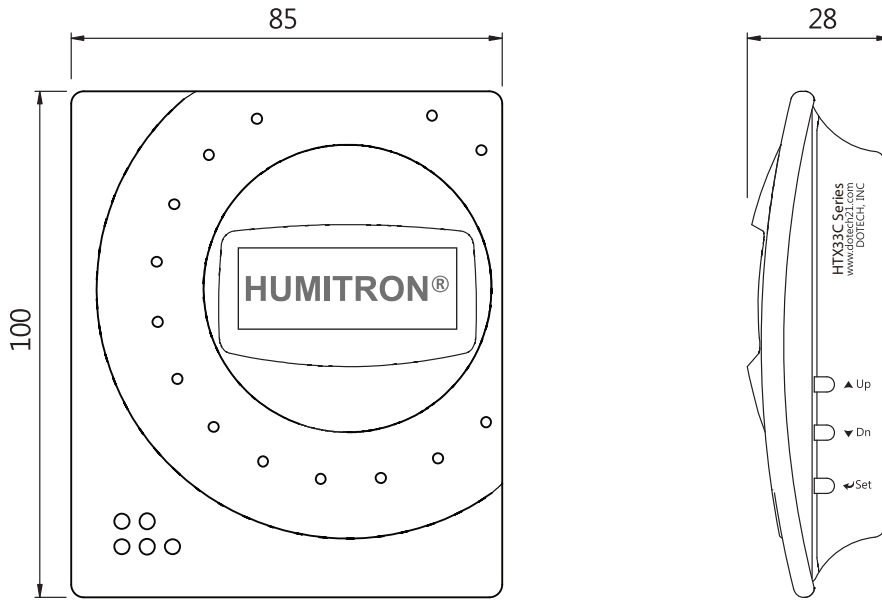


SPECIFICATIONS

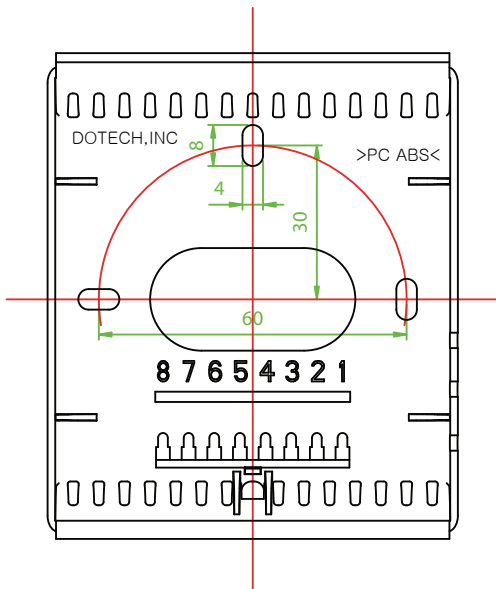
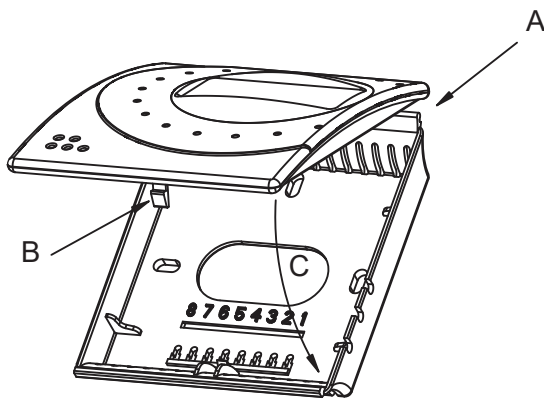
Item	Model	HTX33C-10
Humidity	Working Range	0...95%RH
	Accuracy at 25°C	±3.0%RH(30...70%RH), ±4.0%RH(10...90%RH)
	Repeatability	± 0.1%RH
	Response	Max. 10sec. : 1/e (63%) at 25°C, 1m/s air
	Output	4...20mA(0...100%RH)
Temperature	Working Range	-5...55°C
	Accuracy at 25°C	± 0.4 °C
	Repeatability	± 0.1 °C
	Response	5...30 Sec., 1/e (63%)
	Output	4...20mA (0...50 °C)
Passive Output		Type of T-Sensor, please see ordering guide
Self Diagnostic		Sensor Element Error Detection
Voltage Supply		9...32Vdc
Dimension (WxHxDmm)		85×100×25 (mm)
Wiring Method		Terminal Block 14...22AWG
Storage Condition		-25...60°C, Non-condensation
Operating Condition		-5...55°C, 0...95%RH
Housing		PC-ABS, IP20
Weight		30 g



Housing / Mounting Dimension



Mounting Hole



Connection Diagram

